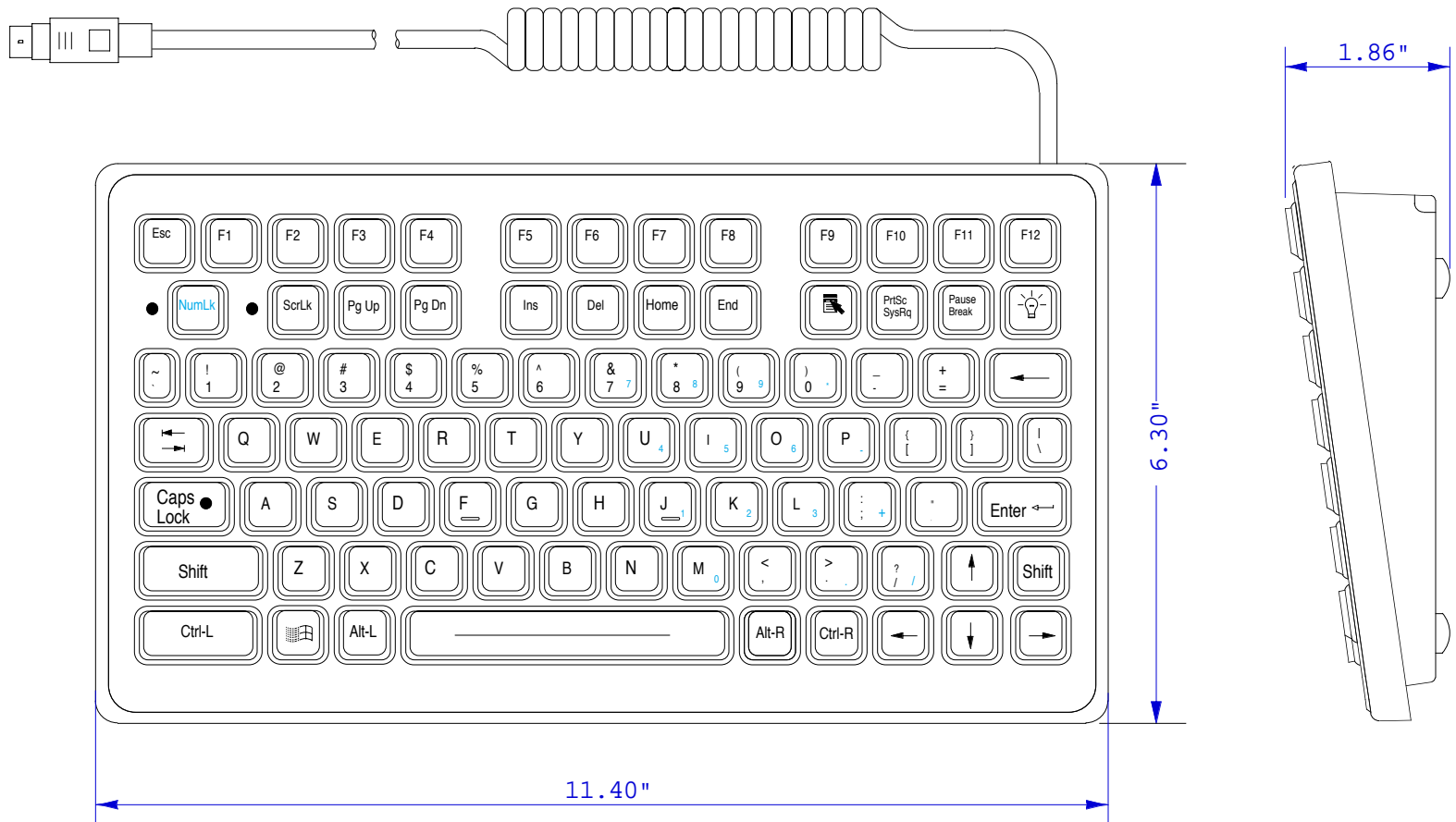


SCALE 1:2



KEY SWITCH

MATERIAL: Industrial Silicone Rubber
 LIFE: Greater than 10 million cycles
 TRAVEL: 0.055 in.
 ACTUATION FORCE: 5 oz. (130g)
 FEEDBACK: Tactile with Mechanical Snap

HUMIDITY

80% Humidity Resistant

POWER

KEYBOARD: 5V@20ma (from CPU port)
 HULAPOINT: 5V@10ma (from mouse connection port)

FLAMMABILITY

PRINTED CIRCUIT BOARD:
 SILICONE OVERLAY:
 94HB
 INTERFACE CABLE:
 94VO

TEMPERATURE

-40 F to +194 F (-40 C to +90 C)

SHOCK

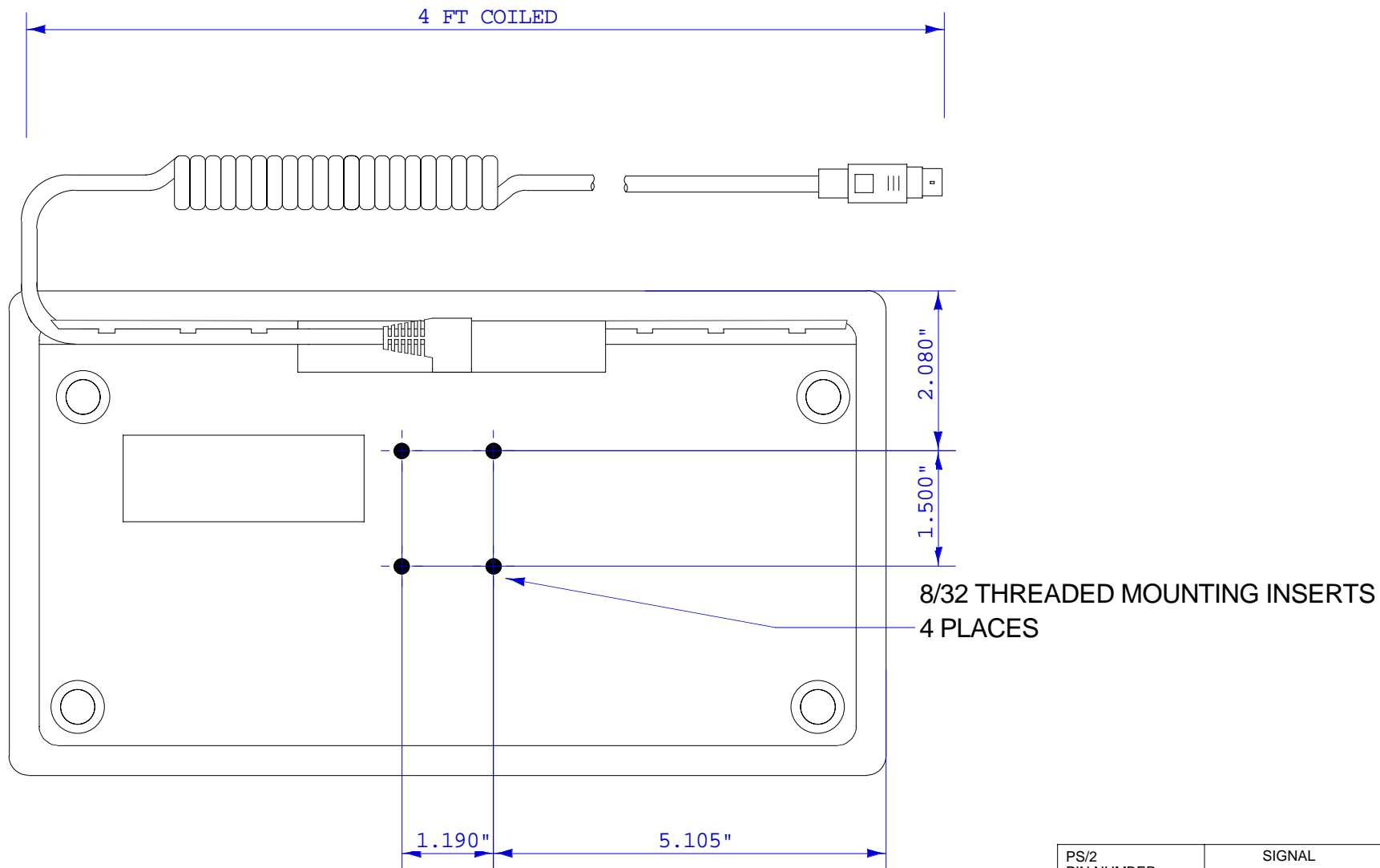
3 X 11 ms pulses of 50g on each of 3 axes

VIBRATION

POWER SPECTRAL DENSITY: .04g/HZ
 FREQUENCY RANGE: 20Hz-2Khz
 DURATION OF TEST PER AXIS: 3 hours

Copyright 1999-2000 Multi-Technology Sales. All rights reserved.

 Texas Industrial Peripherals 2621 Ridgepoint Dr. Suite 235 Austin, Texas 78754 Voice: (512) 837-0283 Fax: (512) 837-0207	Part Number: DP-88 -PS/2	Drawing Number: TIPDP860MKT	Sheet: 1 OF 2	
	Drawing Title: DIMENSIONS/FEATURES	Revision: 1.001	Date: 8.8.01	JKH



ENCLOSURE FABRICATED FROM :
GE CYCLOLY LG900 PC/ABS/ UV
STABLE OR EQUIVALENT

	PS/2 PIN NUMBER	SIGNAL
KEY- BOARD	1	DATA
	3	GROUND
	4	+5V
	5	CLOCK

Copyright 1999-2000 Multi-Technology Sales. All rights reserved.