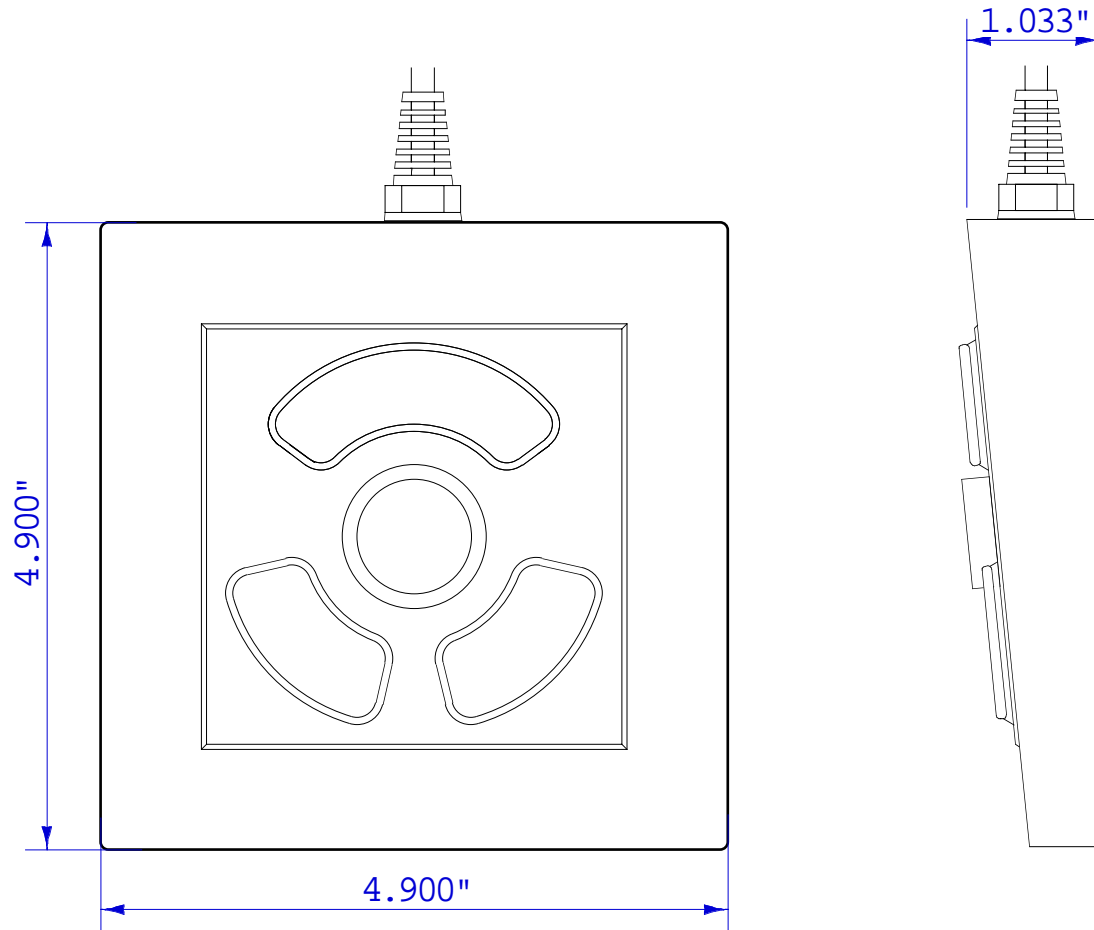


HP-DT



KEY SWITCH

MATERIAL: industrial Silicone Rubber
LIFE: Greater than 10 million cycles
TRAVEL: 0.055 in.
ACTUATION FORCE: 5 oz. (130g)
FEEDBACK: Tactile with Mechanical Snap

HUMIDITY

100% Humidity Resistant

POWER

HULAPOINT: 5V@10ma (from mouse connection port)

FLAMMABILITY

PRINTED CIRCUIT BOARD: 94VO
SILICONE OVERLAY: 94HB
INTERFACE CABLE: 94VO

TEMPERATURE

-40 F to +194 F (-40 C to +90 C)

SHOCK

3 X 11 ms pulses of 50g on each of 3 axis

VIBRATION

POWER SPECTRAL DENSITY: .04g/HZ
FREQUENCY RANGE: 20Hz-2Khz
DURATION OF TEST PER AXIS: 3 hours

Copyright 1999-2000 Multi-Technology Sales. All rights reserved.



Texas Industrial Peripherals
2621 Ridgepoint Dr. Suite 235
Austin, Texas 78754

Voice: (512) 837-0283
Fax: (512) 927-8530

Part Number: HP-DT

Drawing Title: DIMENSIONS/ FEATURES

Drawing Number: TIPHPDTMKT

Revision: 1.000

Sheet: 1 OF 1

Date: 12.16.03

JAE