

4

3

2

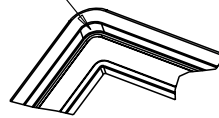
1

R.175±.005 TYPICAL 4 PLACES  
NOTE: SECTION DOES NOT FOLLOW  
UNIFORM PROFILE THROUGH BEND.

CORNER FILETS SHOULD BE  
R.235 + 3° DRAFT  
FROM BASE WALL  
4 PLACES  
(SHOULD BLEND INTO  
ADJOINING SIDES)

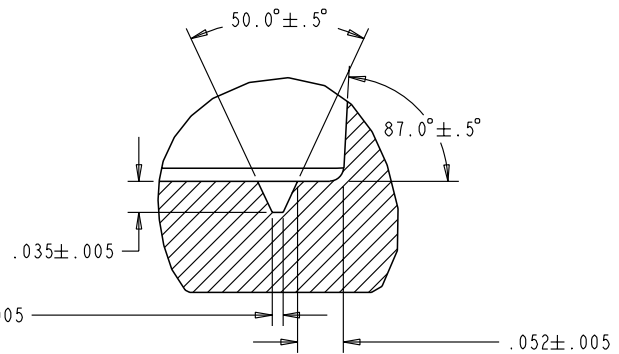
R .435 ±.005  
TYPICAL 4 PLACES

R.028 REF  
4 PLACES

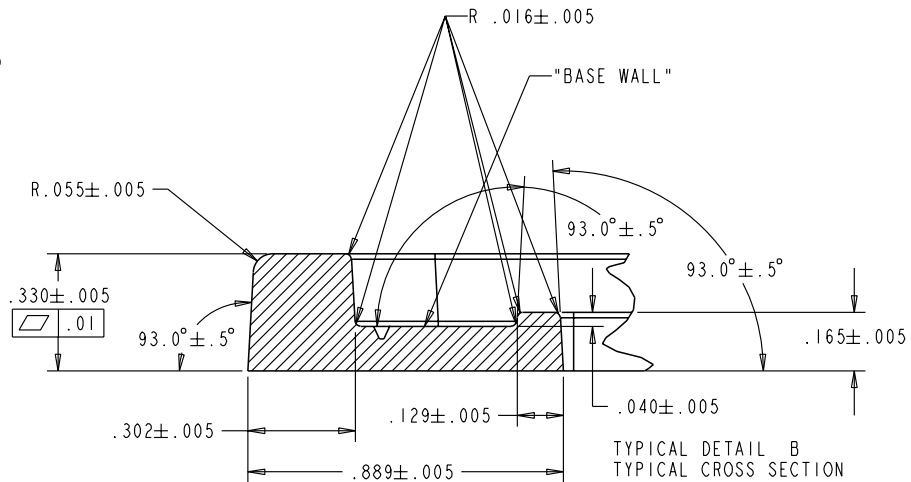


SCALE 0.750

REVISIONS			
REV	DESCRIPTION	DATE	APPROVED
A	INITIAL RELEASE	10-10-01	-
B	CORNER FILLET CLARIFICATION	02-01-02	
C	SEE PAGE 2	05-27-03	



TYPICAL DETAIL A  
SCALE 10.000



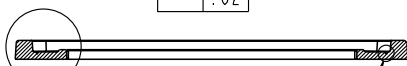
TYPICAL DETAIL B  
TYPICAL CROSS SECTION  
EXCEPT WHERE NOTED  
SCALE 4.000

15.142±.005  
— .02

13.364 REF

5.029 REF

6.807±.005  
— .02



SEE DETAIL A

SEE DETAIL B

SECTION A-A

GENERAL TOLERANCES X.X ±0.1 X.XX ±0.01 X.XXX ±0.005 ANG. ±0.5°	INTEGRATED DESIGN SYSTEMS, INC.	APPROVED -	FOR <b>Texas Industrial Peripherals</b> Austin, TX, USA (512) 837-0283, 0207 (fax)
	33 Great Neck Rd. Great Neck, NY 11021	NEXT ASSEMBLY -	UNIT DU_5K_OEM_FRAME
	DRAWN 05-27-03	SCALE .650	TITLE DU_5K_OEM_FRAME
	CHECKED -	SHEET 1 OF 2	SIZE C
			DRAWING NO -
			REV C

4

3

2

1

4

3

2

1

REVISIONS			
REV	DESCRIPTION	DATE	APPROVED
A	INITIAL RELEASE	10-10-01	-
C	MIDIFY DIMS	05-27-03	

$\triangle C$  1.403 ± .005

2.000 ± .005

.155 ± .005 TYPICAL

4.000 ± .005

1.321 ± .005  $\triangle C$

A

2.500 ± .005

5.000 ± .005

7.500 ± .005

10.000 ± .005

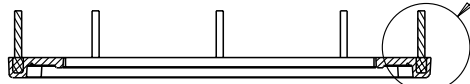
12.500 ± .005

.155 ± .005 TYPICAL

NO TEXTURE  
THIS SURFACE

SCALE 0.700

SEE DETAIL C

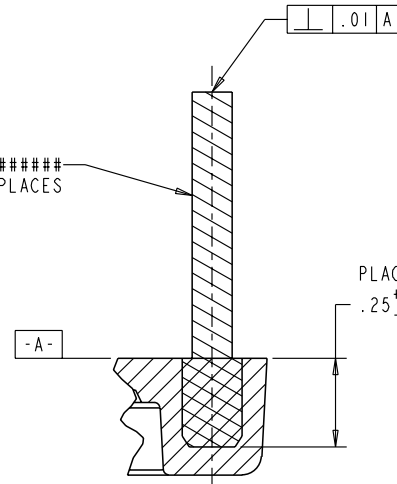


SECTION A-A

NOTES (UNLESS OTHERWISE SPECIFIED):

- MAT'L: GE CYCOLOY LG9000 PC/ABS OR EQUIVALENT, UV STABILIZED.
- COLOR: TO BE SPECIFIED BY TEXAS INDUSTRIAL PERIPHERALS.
- ALL NON-TEXTURED SURFACES TO HAVE SPI-SPE 3 FINISH.
- ALL SURFACES TO BE TEXTURED EXCEPT WHERE NOTED PER MOLD-TECH MT 1055-5 (.001 DEEP).
- PART TO BE FREE OF MOLD RELEASE.
- REMOVE ALL FLASH AND GATES.
- INDICATED AREA PART TO BE FREE OF CHIPS, CRACKS, SCRATCHES, FLOW MARKS, SINK MARKS AND BLEMISHES.
- KNOCKOUT PINS TO BE FLUSH OR BELOW SURFACE.
- ALL MOLDED FEATURES IN TOOL TO CONFORM TO "DU\_5K\_FRAME\_1.IGS".
- DO NOT SCALE DRAWING

THREADED INSERT Z#####  
TYPICAL 18 PLACES



DETAIL C  
SCALE 4.000

GENERAL TOLERANCES X.X ±0.1 X.XX ±0.01 X.XXX ±0.005 ANG. ±0.5°	INTEGRATED DESIGN SYSTEMS, INC. 33 Great Neck Rd. Great Neck, NY 11021	APPROVED -	FOR Texas Industrial Peripherals Austin, TX, USA (512) 837-0283, 0207 (fax)
	DRAWN 05-27-03	NEXT ASSEMBLY -	UNIT - DU_5K_OEM_FRAME
CHECKED -	SCALE -	TITLE - DETAIL VIEWS	SIZE C
	SHEET 2 OF 2	DRAWING NO -	REV C

4

3

2

1