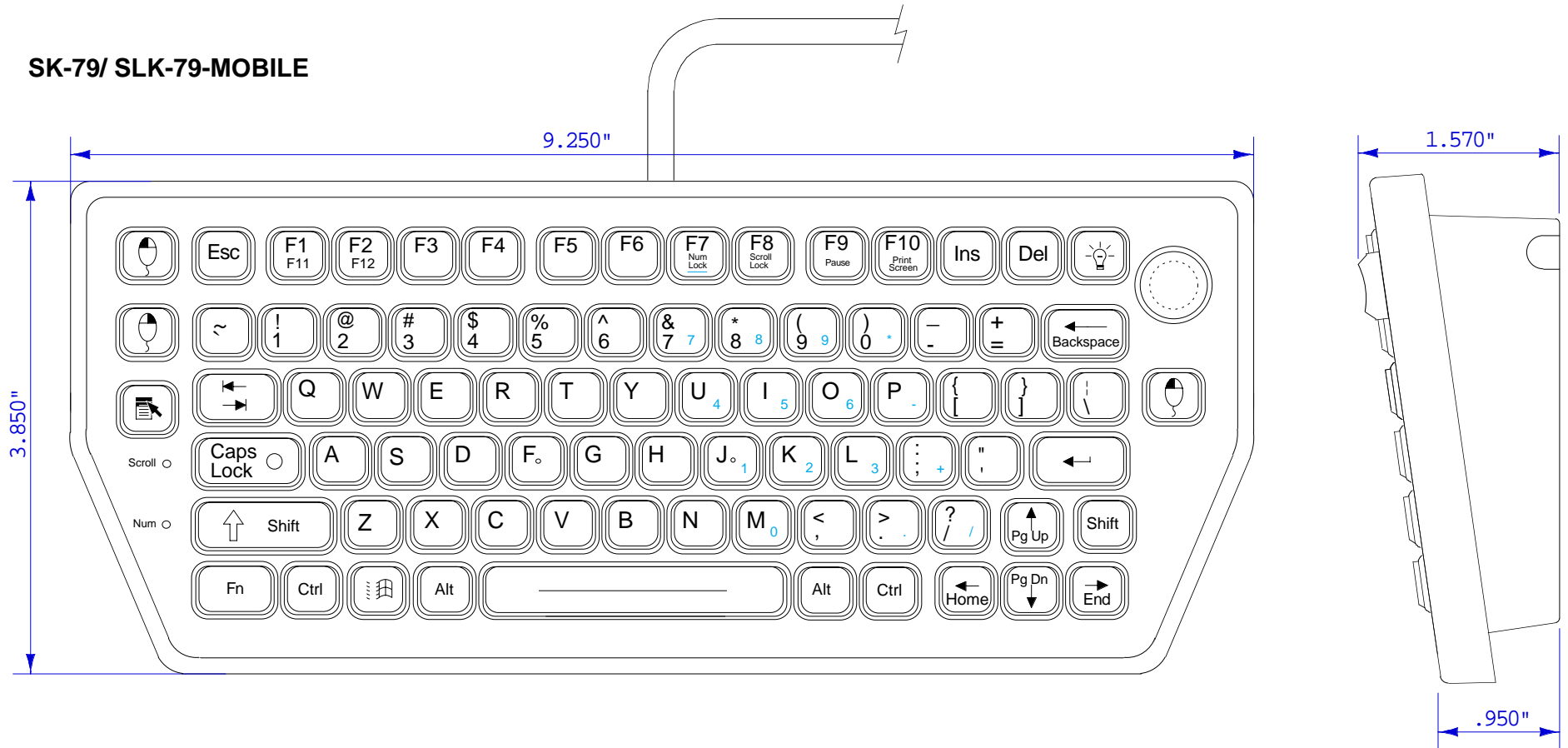


SK-79/ SLK-79-MOBILE



KEY SWITCH

MATERIAL: industrial Silicone Rubber
 LIFE: Greater than 10 million cycles
 TRAVEL: 0.055 in.
 ACTUATION FORCE: 5 oz. (130g)
 FEEDBACK: Tactile with Mechanical Snap

HUMIDITY

100% Humidity Resistant

POWER

KEYBOARD: 5V@10mA(from CPU port)
 MOUSE: 5V@10mA (from CPU port)

FLAMMABILITY

PRINTED CIRCUIT BOARD: 94VO
 SILICONE OVERLAY: 94HB
 INTERFACE CABLE: 94VO

TEMPERATURE

-40 F to +194 F (-40 C to +90 C)

SHOCK

3 X 11 ms pulses of 50g on each of 3 axis

VIBRATION

POWER SPECTRAL DENSITY: .04g/HZ
 FREQUENCY RANGE: 20Hz-2Khz
 DURATION OF TEST PER AXIS: 3 hours



IKEY, LTD
 2621 Ridgepoint Dr. Suite 235
 Austin, Texas 78754

©2004 IKEY,LP

Voice: (512) 837-0283
 Fax: (512) 927-8530

Part Number: SK-79-MOBILE-MKT

Drawing Title: SK-79-MKT

Drawing Number: MKT0034

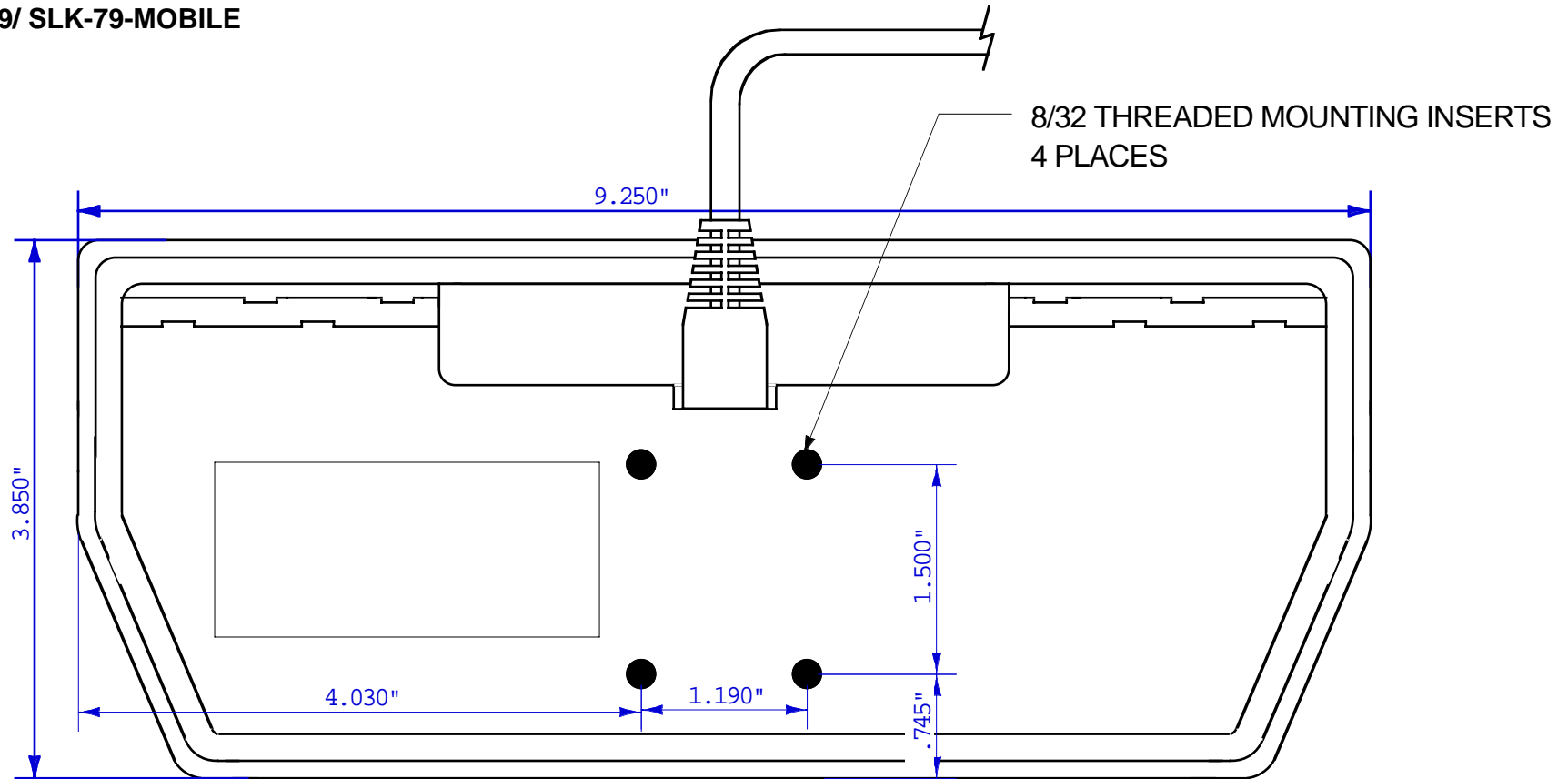
Revision: 1.000

Sheet: 1 OF 2

Date: 8.31.04

JAE

SK-79/ SLK-79-MOBILE



ENCLOSURE FABRICATED FROM:
GE CYCLOLY LG900 PC/ABS/UV
STABLE OR EQUIVALENT