

**KEY SWITCH**

MATERIAL: Industrial Silicone Rubber  
 LIFE: Greater than 10 million cycles  
 TRAVEL: 0.055 in.  
 ACTUATION FORCE: 5 oz. (130g)  
 FEEDBACK: Tactile with Mechanical Snap

**HUMIDITY**

100% Humidity Resistant

**POWER**

KEYBOARD: 5V@20ma (from CPU port)  
 HULAPOINT: 5V@10ma (from mouse connection port)

**FLAMMABILITY**

PRINTED CIRCUIT BOARD: 94VO  
 SILICONE OVERLAY: 94HB  
 INTERFACE CABLE: 94VO

**TEMPERATURE**

-40 F to +194 F (-40 C to +90 C)


**SHOCK**

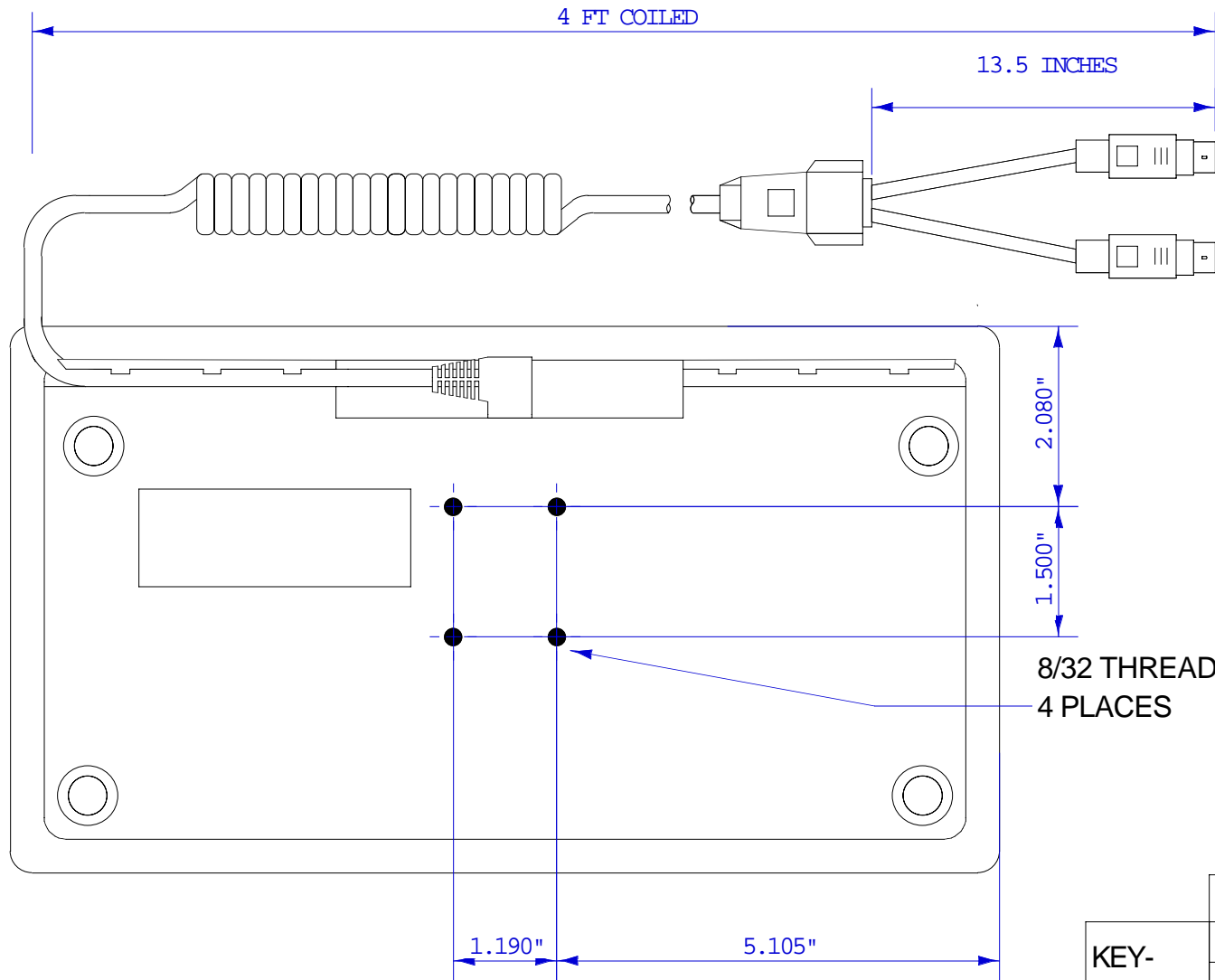
3 X 11 ms pulses of 50g on each of 3 axes

**VIBRATION**

POWER SPECTRAL DENSITY: .04g/HZ  
 FREQUENCY RANGE: 20Hz-2Khz  
 DURATION OF TEST PER AXIS: 3 hours

Copyright 1999-2000 Multi-Technology Sales. All rights reserved.

 Texas Industrial Peripherals 2621 Ridgepoint Dr. Suite 235 Austin, Texas 78754 Voice: (512) 837-0283 Fax: (512) 837-0207	Part Number: <b>SL-86-911 -PS/2</b>	Drawing Number: <b>TIP911P2MKT</b>	Sheet: <b>2 OF 2</b>	
	Drawing Title: <b>DIMENSIONS/FEATURES</b>	Revision: <b>1.001</b>	Date: <b>3.2.00</b>	TJO



ENCLOSURE FABRICATED FROM :  
 GE CYCLOLY LG900 PC/ABS/ UV  
 STABLE OR EQUIVALENT

	PS/2 PIN NUMBER	SIGNAL
KEY- BOARD (GREY)	1	DATA
	3	GROUND
	4	+5V
	5	CLOCK
MOUSE  (BLACK)	1	DATA
	3	GROUND
	4	+5V
	5	CLOCK

Copyright 1999-2000 Multi-Technology Sales. All rights reserved.

**TP** Texas Industrial Peripherals  
 2621 Ridgepoint Dr. Suite 235  
 Austin, Texas 78754  
 Voice: (512) 837-0283  
 Fax: (512) 837-0207

Part Number: **SL-86-911 -PS/2**  
 Drawing Title: **DIMENSIONS/FEATURES**

Drawing Number: **TIP911P2MKT**  
 Revision: **1.001**

Sheet: **2 OF 2**  
 Date: **3.2.00** TJO