
TPM Series: OEM Touchpad Module, 6-inch, USB & PS/2



Figure 1: 6" OEM Touchpad Module

1. DESCRIPTION

Utilizing the latest and most advanced touch sensing technology, the TPM Series touchpad module is an extremely high specification pointing device, ideal for the most demanding of cursor control applications. The device provides both conventional X and Y-axis cursor movement with plug-and-play, multi-finger gesture support for enhanced user interaction. The mutual-capacitance based tracking engine combines the benefits of solid state sensing (no moving parts) with the precision, functionality and performance associated with the Cursor Controls product range. The unit has been designed to be panel mounted as part of OEM keyboards and consoles.

2. FEATURES

- Solid state sensing technology – capacitive touch sensing tracking engine.
- Multi-finger gesture support
- 8 capacitive buttons
- Output: USB/PS2 (auto-select)
- Smooth operation in rugged environments
- Immunity to moisture, water and liquid contaminants
- Various overlay configurations available
- Custom connector options available

3. APPLICATIONS

- Industrial consoles
- Medical systems
- Marine systems
- Sound and lighting desks
- Video editing consoles
- Custom keyboard applications
- OEM custom solutions available

6.3. Touchpad Features

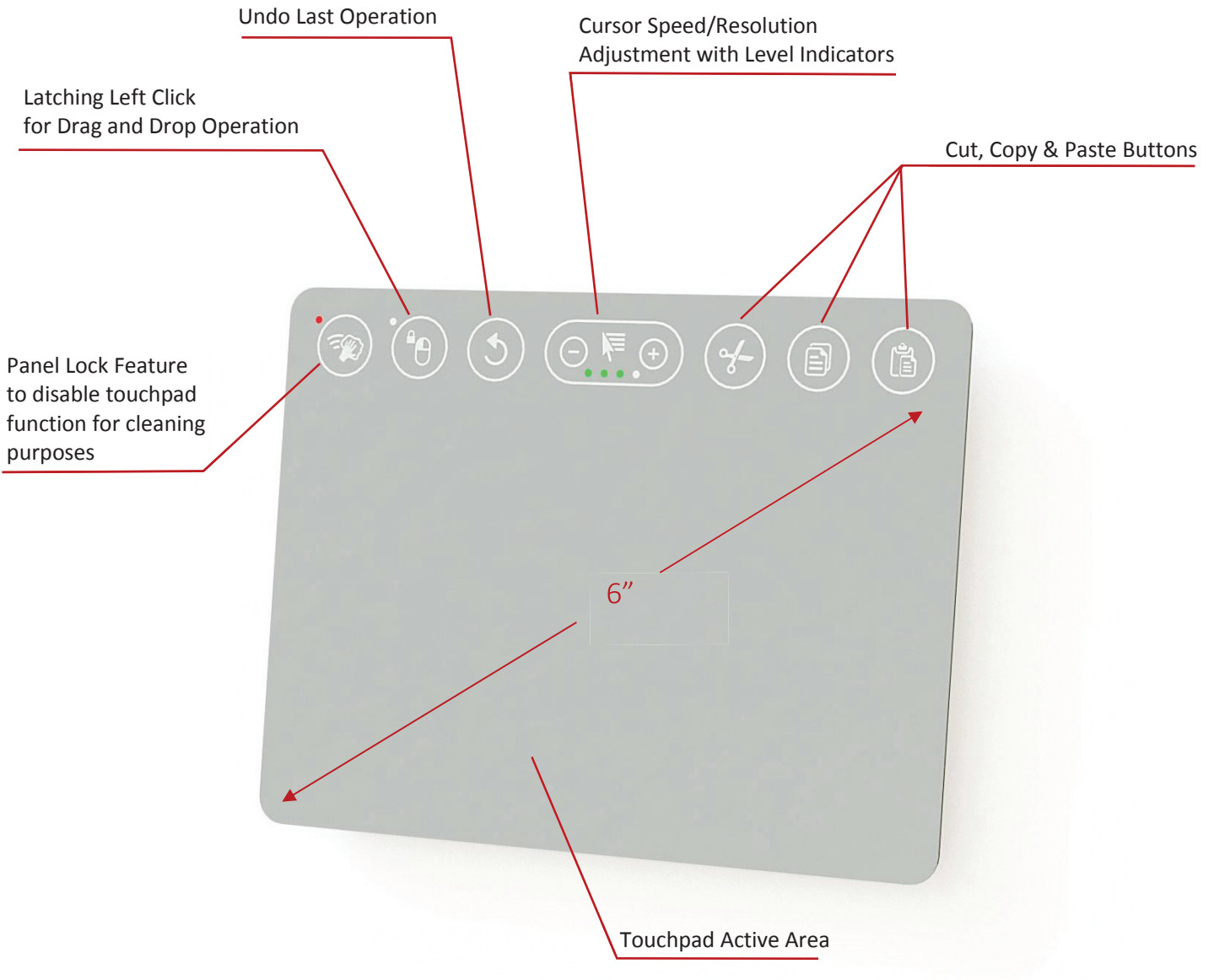
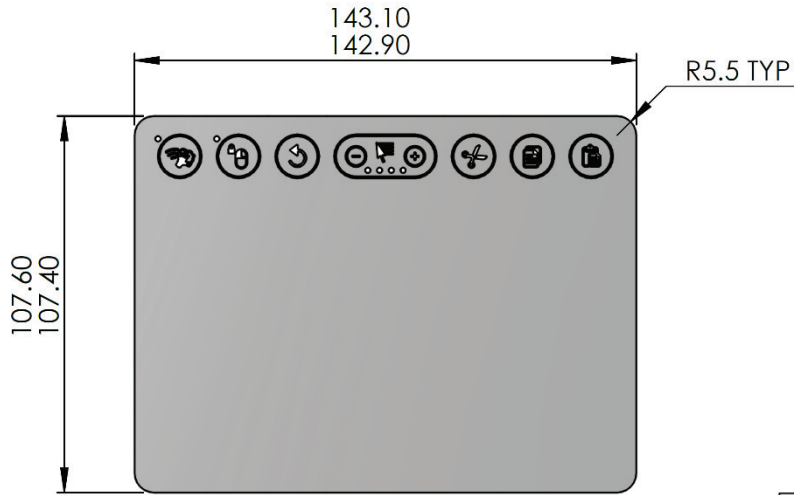
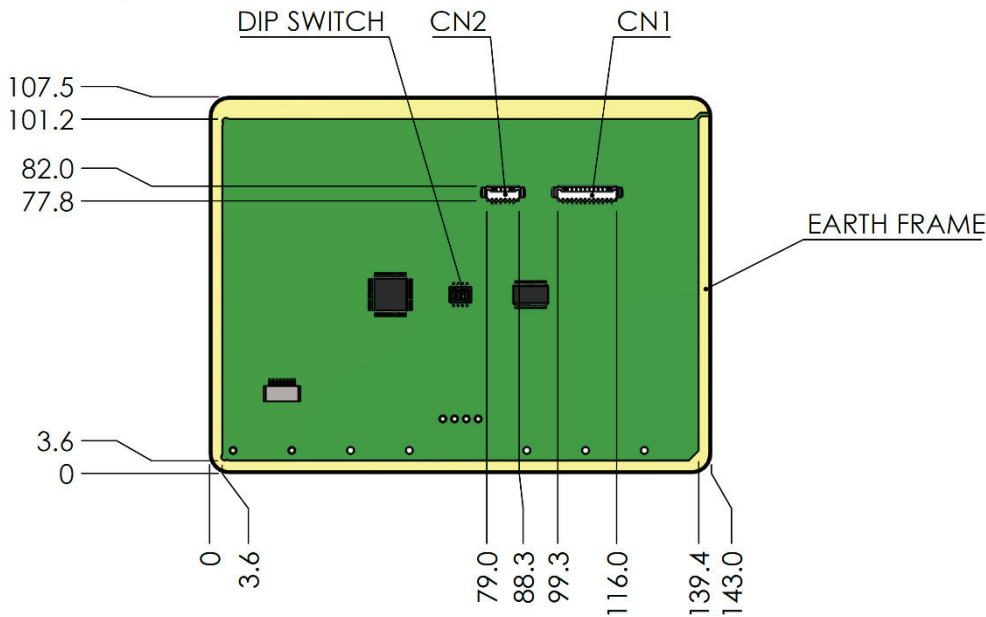


Figure 4: Module features

8. TOUCHPAD DIMENSION DRAWING



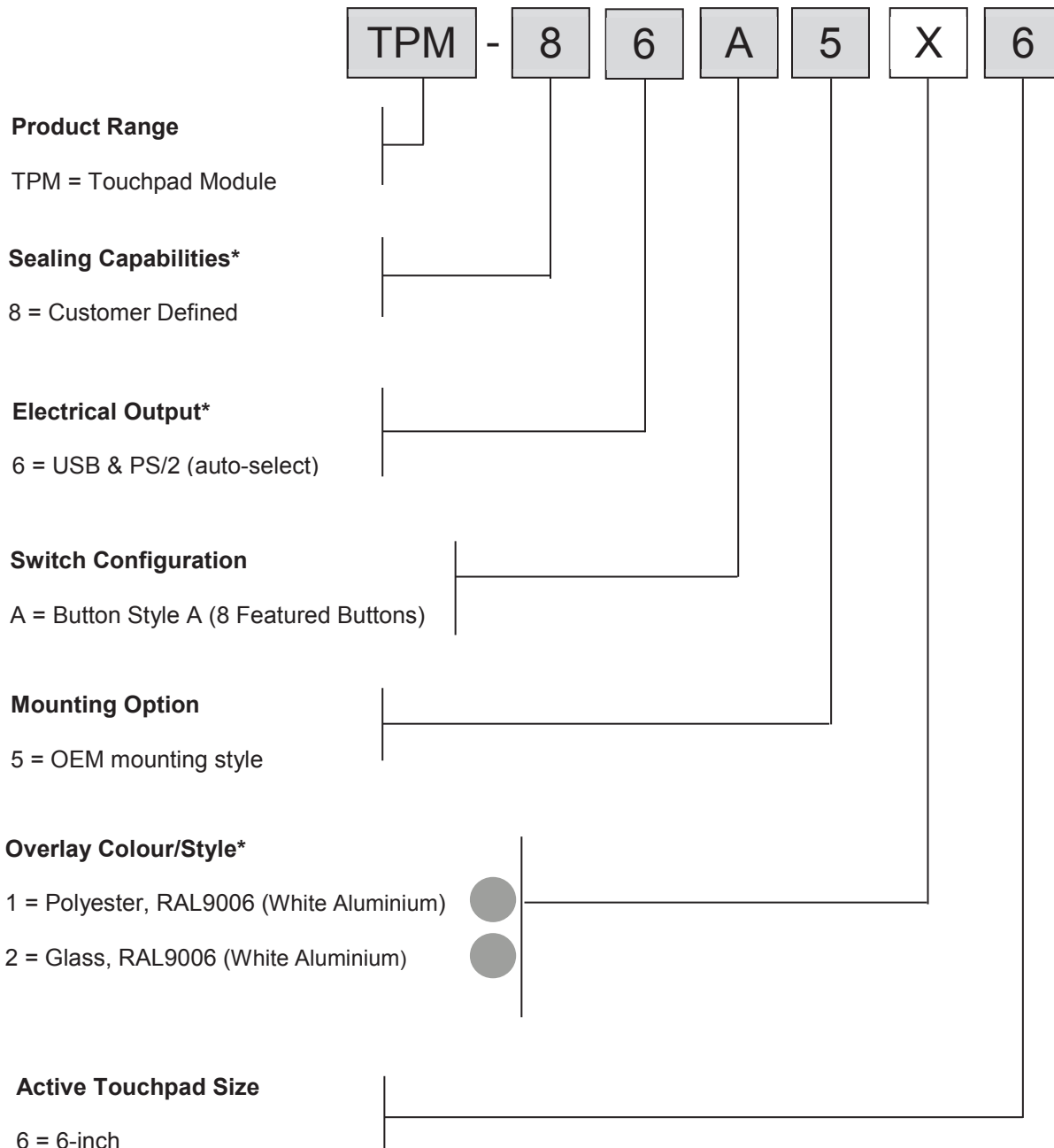
	DIM. A	DIM. B
POLYESTER OVERLAY	2.10	5.50
GLASS OVERLAY	2.95	6.35



Dimensional drawing specifies factory default orientation.
 All dimensions are in mm unless otherwise stated.
 Tolerances +/- 0.2mm unless otherwise stated
 Please note that an IGES model is available on request. Please contact your local sales office for more information.

10. PRODUCT ORDERING CODE SYSTEM

Please construct your standard product ordering code by selecting the numbers and letters to suit your specification:



**For further options please contact your local sales representative.*

10.1. Ordering Example

TPM-86A516: Touchpad, Customer defined sealing, USB & PS/2 Interface, featured buttons, OEM style, RAL9006 polyester overlay, 6-inch.