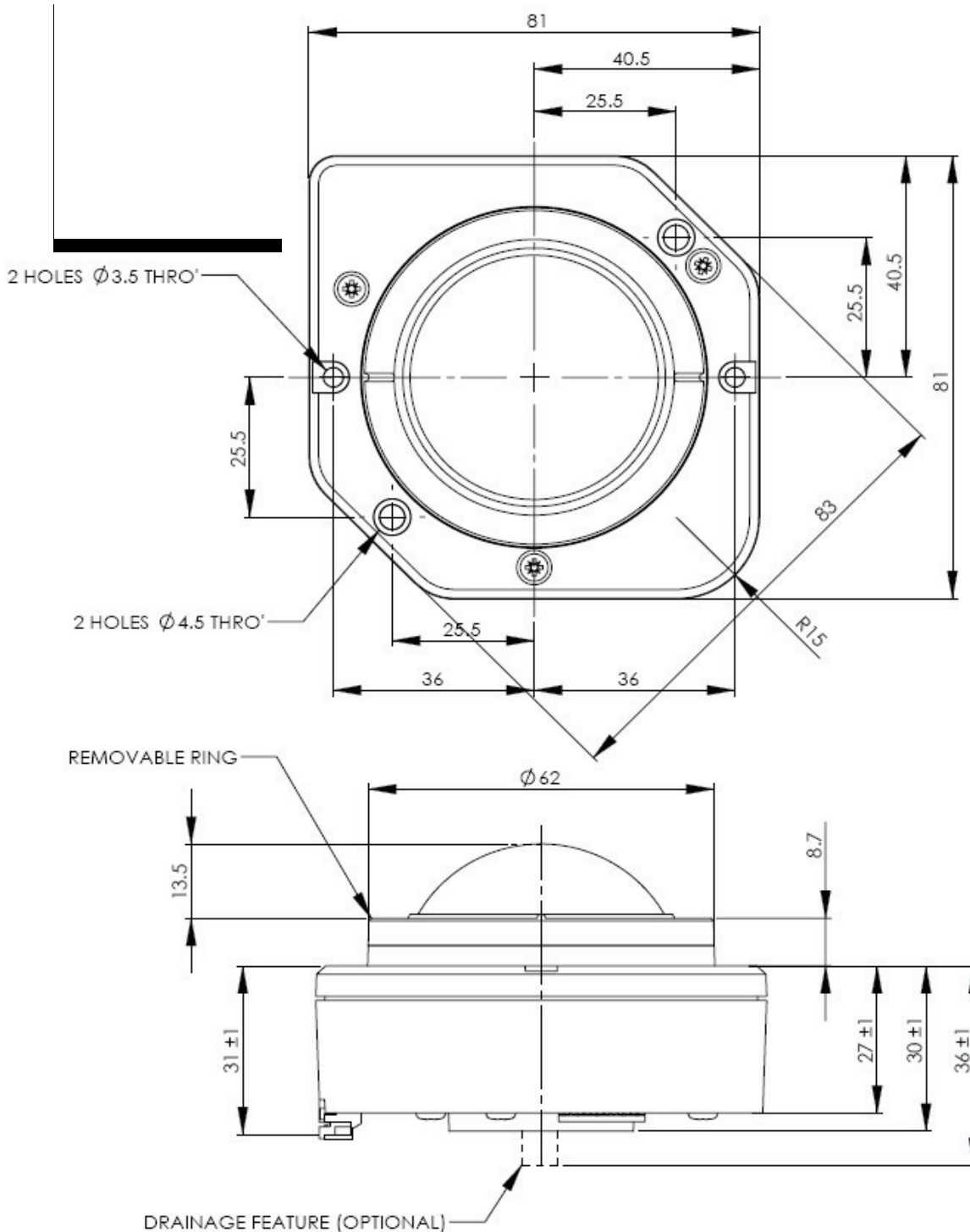


**7. DIMENSION DRAWING**



Dimensional drawing specifies factory default orientation.

All dimensions are in mm unless otherwise stated.

Tolerances  $\pm 0.2$ mm unless otherwise stated

Please note that an IGES model is available on request. Please contact your local sales office for more information.