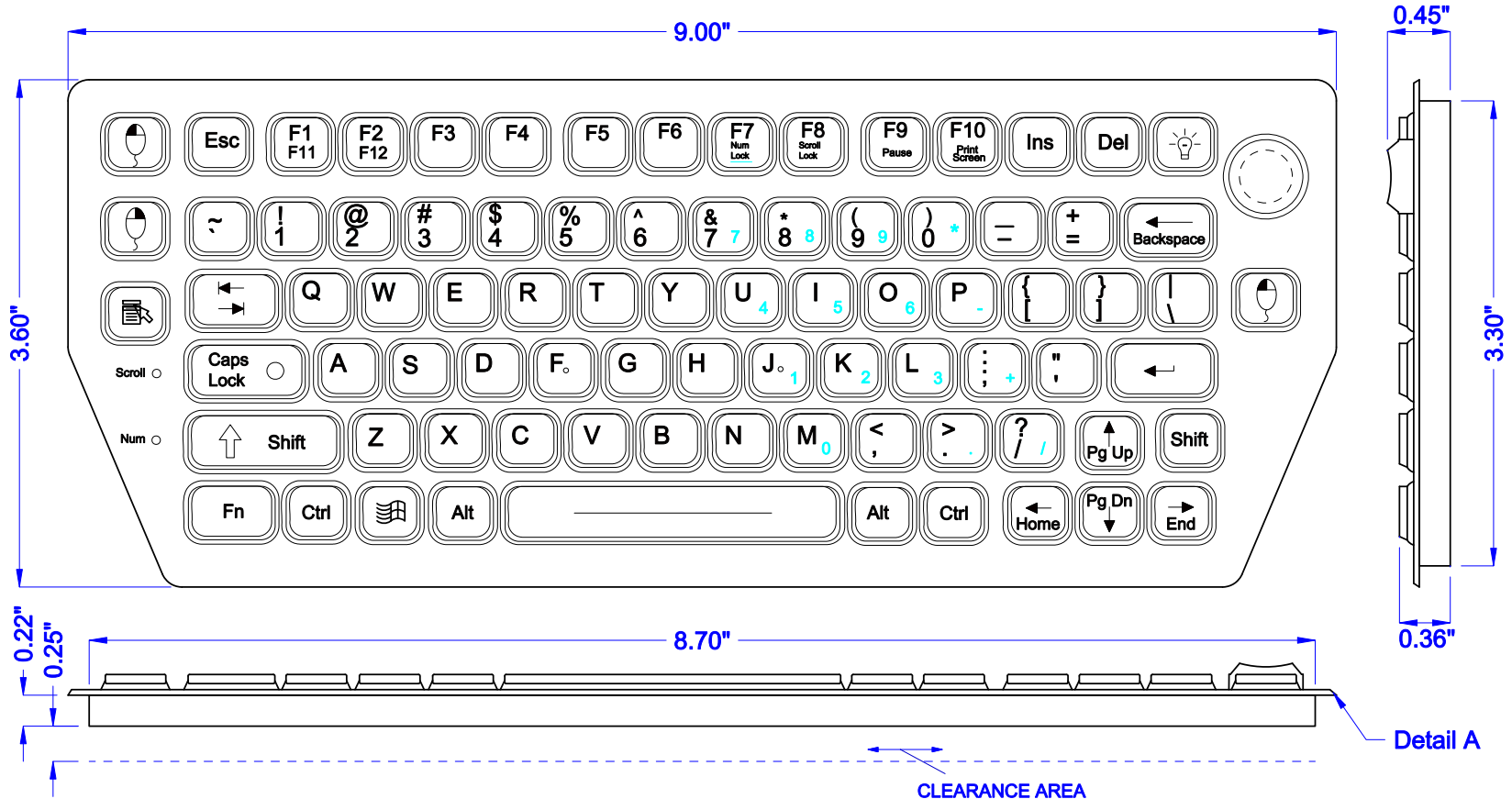


# SK-79-OEM

DATE	CHANGES	INTL	REV
09.04.08	Original	JB	1.00



## KEY SWITCH

**MATERIAL:** Industrial Silicone Rubber  
**LIFE:** Greater Than 10 Million Cycles  
**TRAVEL:** 0.055 in.  
**ACTUATION FORCE:** 4.76 oz. +/- 1.06oz (135g +/- 30g)  
**FEEDBACK:** Tactile with Mechanical Snap

## POWER

**PS2: KEYBOARD:** 50mA@5V (from Keyboard port)  
**POINTER:** 35mA@5V (from Mouse port)  
**USB:** 85mA@5V (from CPU port)

## TEMPERATURE RANGE

**STORAGE:** -40°F to +158°F (-40°C to +70°C)  
**OPERATING:** -4°F to +140°F (-20°C to +60°C)

## HUMIDITY

100% Humidity Resistant

## VIBRATION

**POWER SPECTRAL DENSITY:** .04g/HZ  
**FREQUENCY RANGE:** 20Hz-2Khz  
**DURATION OF TEST PER AXIS:** 3 hours

## SHOCK

3 X 11 ms pulses of 50g on each of 3 axis

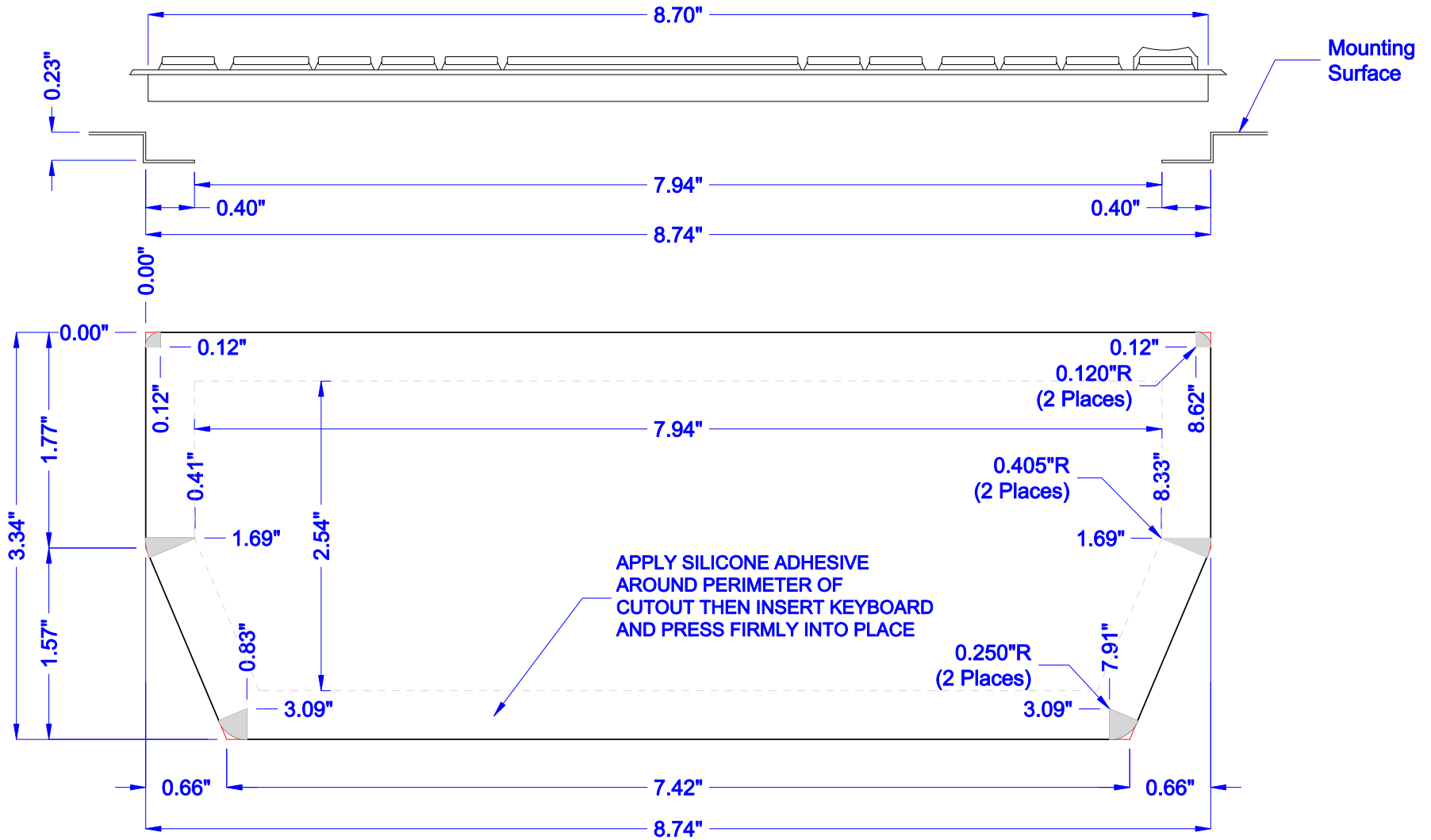
## WEIGHT

0.75 lbs +/- 0.10 lbs (0.34 kg +/- 0.05 kg)

PROPRIETARY AND CONFIDENTIAL

SCALE: 1:1.25

# SK-79-OEM MOUNTING



PROPRIETARY AND CONFIDENTIAL

SCALE: 1:1.25

**iKey** iKey, Ltd.  
2621 Ridgpoint Dr. Suite 235  
Austin, Texas 78754

©2008 iKey, Ltd.  
Voice: (512) 897-0283  
Fax: (512) 927-8830

Part Number: SK-79-OEM

Drawing Title: SK-79-OEM

Drawing Number: MKT0140

Revision: 1.00

Sheet: 2 OF 2

Date: 09.04.08

JWB