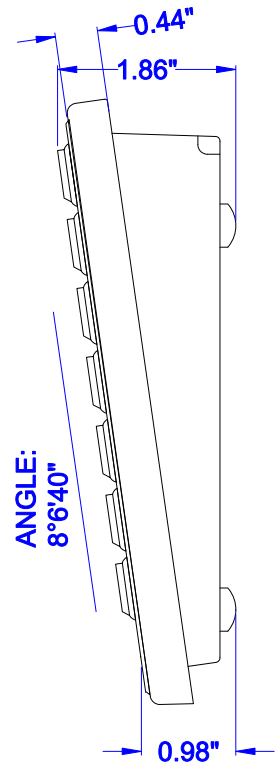
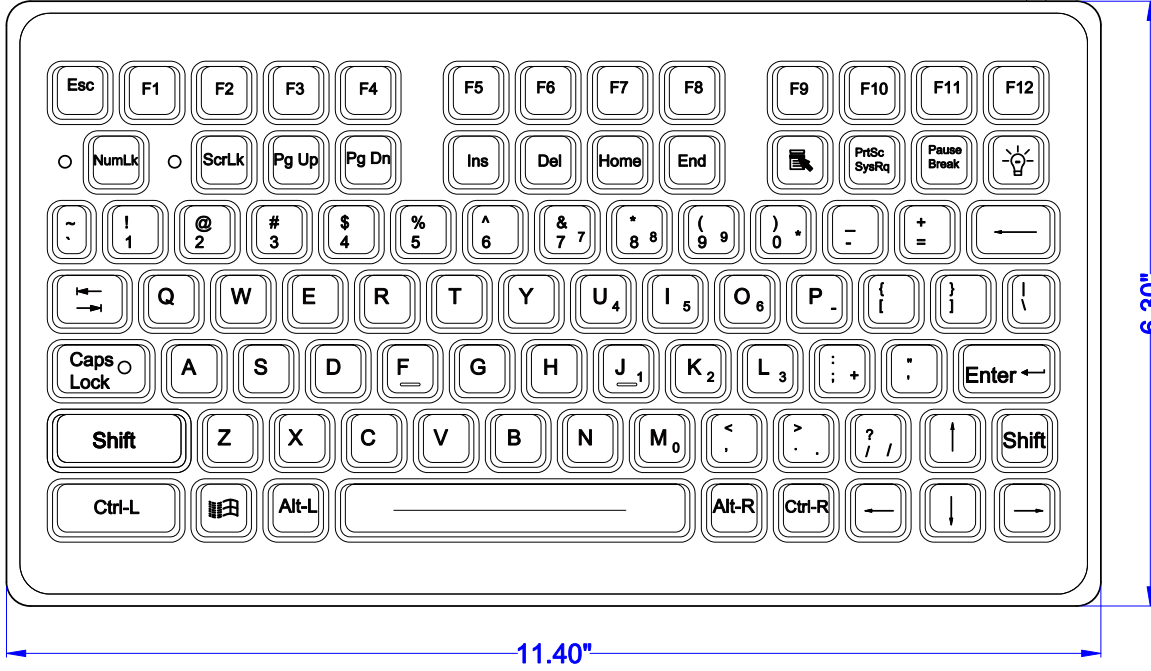
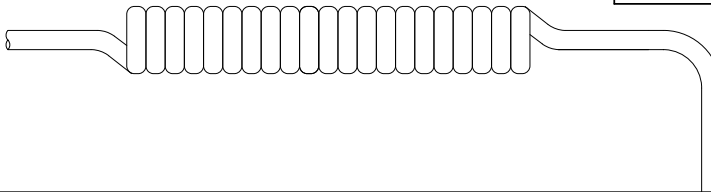
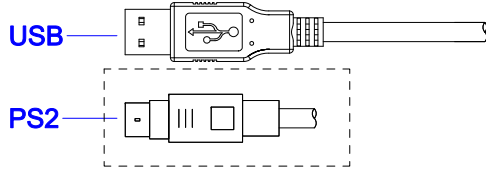


DATE	CHANGES	INTL	REV
08.27.09	Original	JB	1.0

SL-88-461



KEY SWITCH

MATERIAL: Industrial Silicone Rubber
 LIFE: Greater Than 10 Million Cycles
 TRAVEL: 0.055 in.
 ACTUATION FORCE: 7.05 oz. +/- 1.06oz (200g +/- 30g)
 FEEDBACK: Tactile with Mechanical Snap

TEMPERATURE RANGE

STORAGE: -40°F to +194°F (-40°C to +90°C)
 OPERATING: -4°F to +140°F (-20°C to +60°C)

VIBRATION

POWER SPECTRAL DENSITY: .04g²/HZ
 FREQUENCY RANGE: 20Hz-2Khz
 DURATION OF TEST PER AXIS: 3 hours

POWER

PS2: 200mA@5V (from Keyboard port)
 USB: 200mA@5V (from CPU port)

HUMIDITY

100% Humidity Resistant

SHOCK

3 X 11 ms pulses of 50g on each of 3 axis

WEIGHT

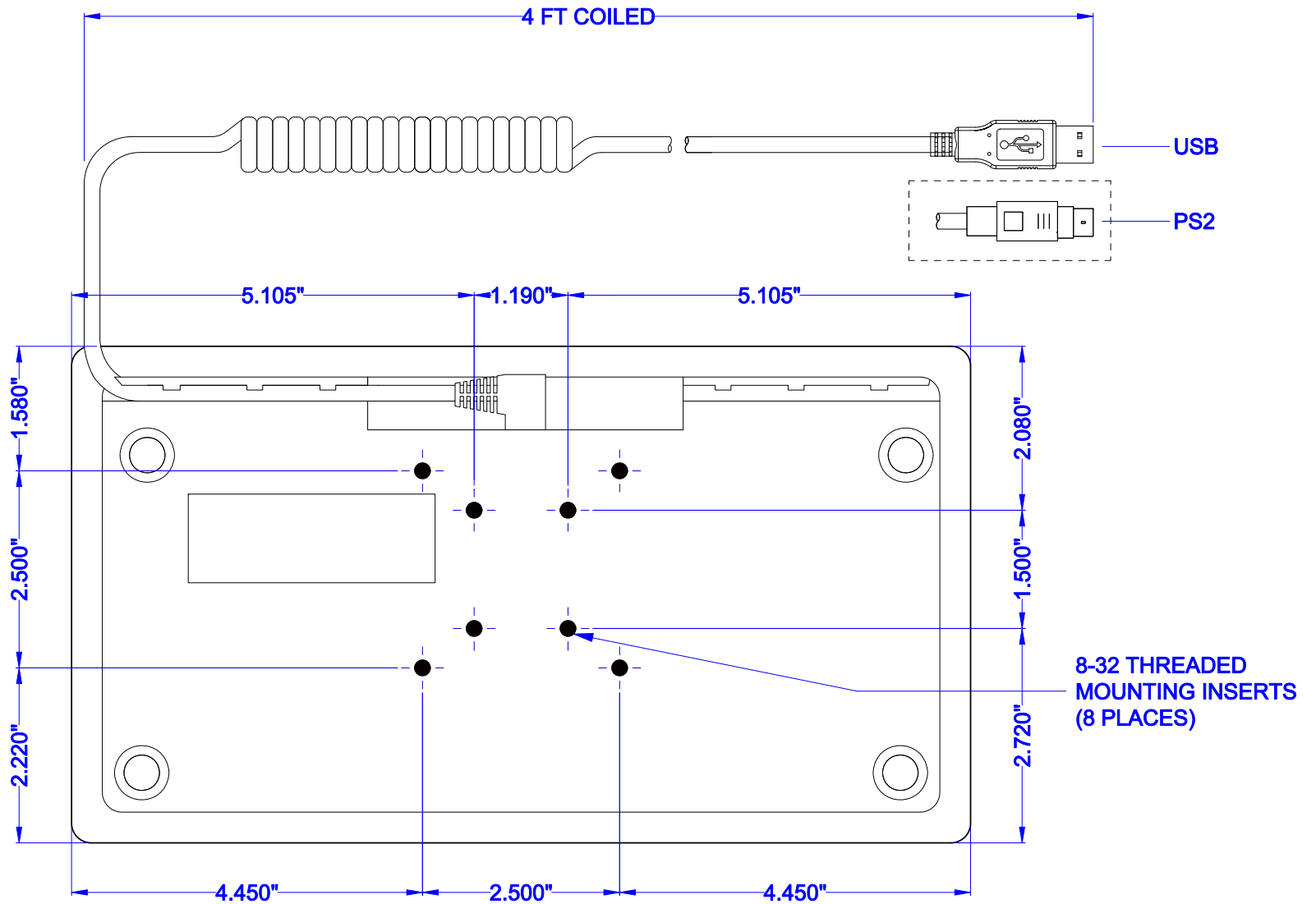
2.00 lbs +/- 0.10 lbs (0.91 kg +/- 0.05 kg)

PROPRIETARY AND CONFIDENTIAL

SCALE: 1:2

iKey, Ltd. 2621 Ridgpoint Dr. Suite 235 Austin, Texas 78754 Voice: (512) 837-0283 Fax: (512) 927-8630	©2008 iKey, Ltd.	Part Number: SL-88-461	Drawing Number: MKT0218	Sheet: 1 OF 2
		Drawing Title: SL-88-461-MKT	Revision: 1.0	Date: 08.27.09 JWB

SL-88-461 BACK / MOUNTING



ENCLOSURE CASE: ABS/Polycarbonate

PROPRIETARY AND CONFIDENTIAL

SCALE: 1:2



iKey, Ltd.
2621 Ridgpoint Dr. Suite 235
Austin, Texas 78754

©2008 iKey, Ltd.
Voice: (512) 837-0283
Fax: (512) 927-8630

Part Number: SL-88-461
Drawing Title: SL-88-461-MKT

Drawing Number: MKT0218
Revision: 1.0

Sheet: 2 OF 2
Date: 08.27.09
JWB